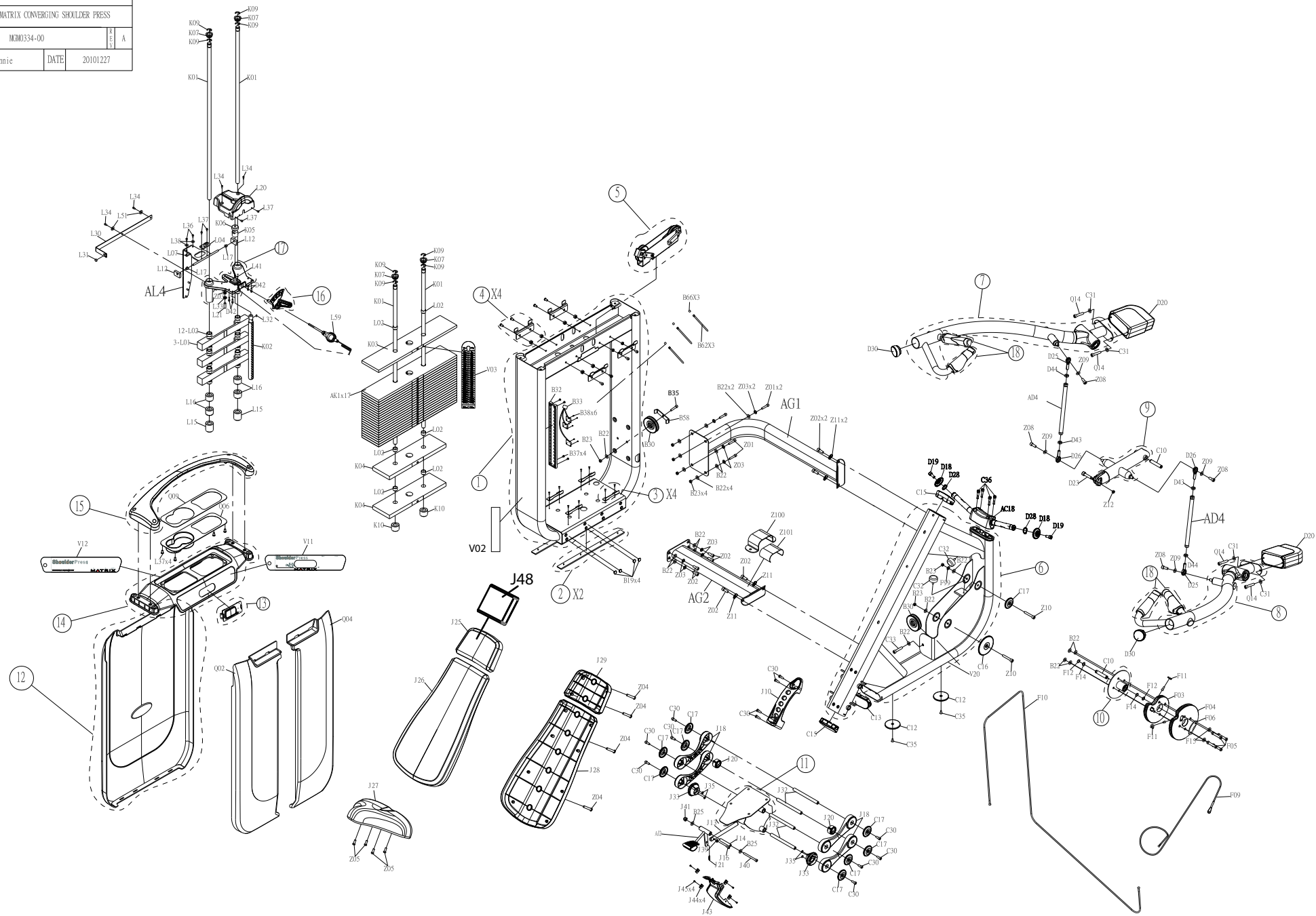
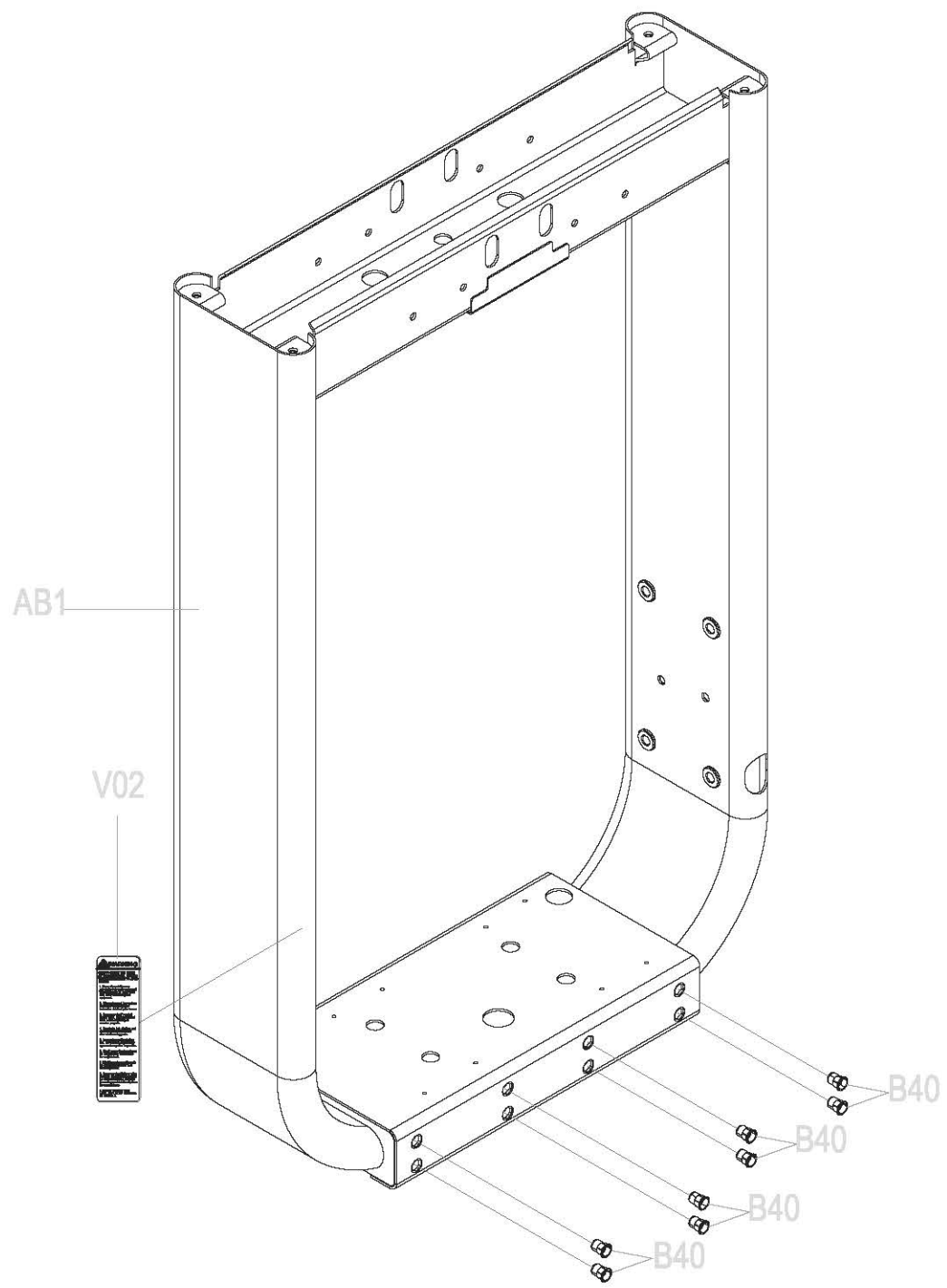


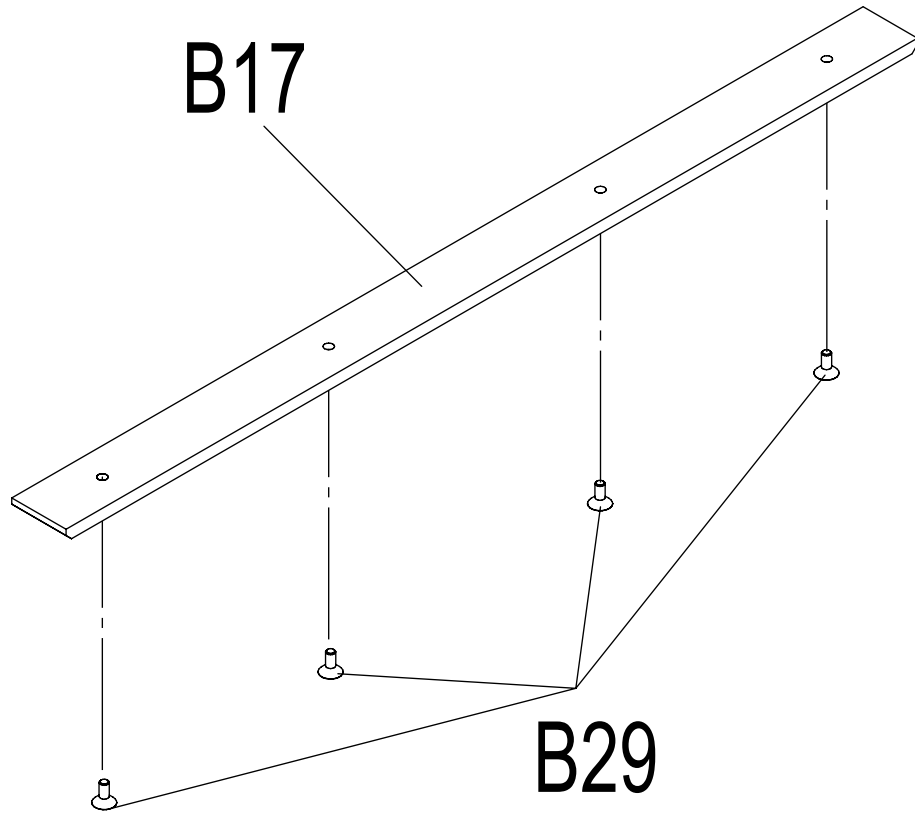
DRAWING NO			
PART NAME	MATRIX CONVERGING SHOULDER PRESS		
PART NO	MM0334-00	K	A
APPROVE	Bonnie	DATE	20101227



DRAWING NO			
PART NAME	Frame Set		
PART NO	1000092672	REV	A
APPROVE	Kevin	DATE	20101221

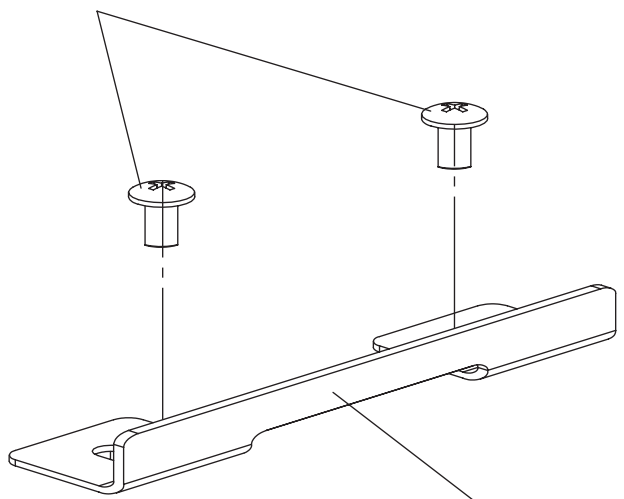


DRAWING NO			
PART NAME	Fixing Plate;D		
PART NO	1000108348	REV	A
APPROVE	GUIBIN	DATE	20101214



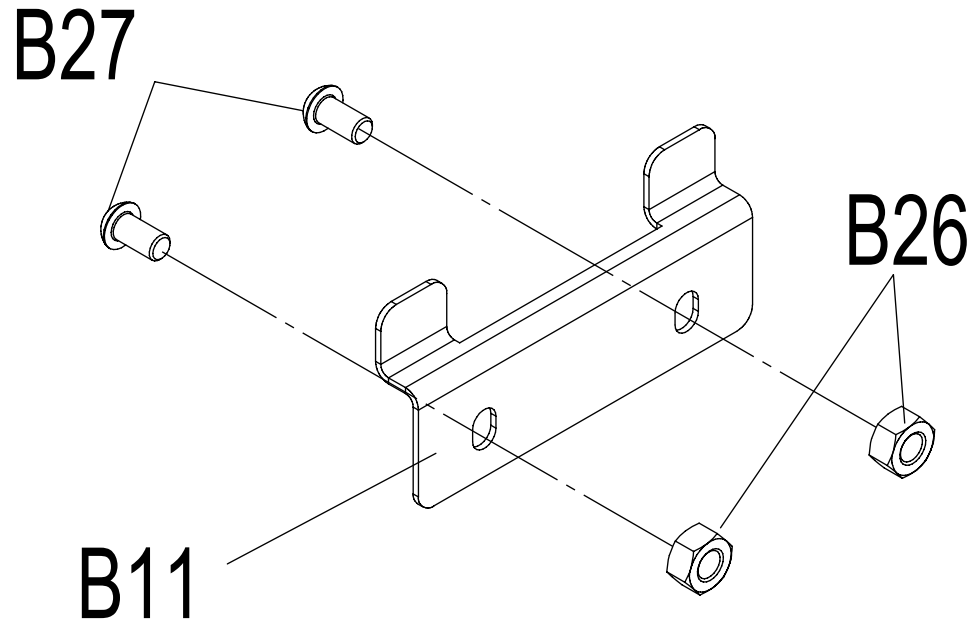
DRAWING NO			
PART NAME	Down Cover;Fixing Frame		
PART NO	1000104014	REV	A
APPROVE	GUIBIN	DATE	20101214

**B28**

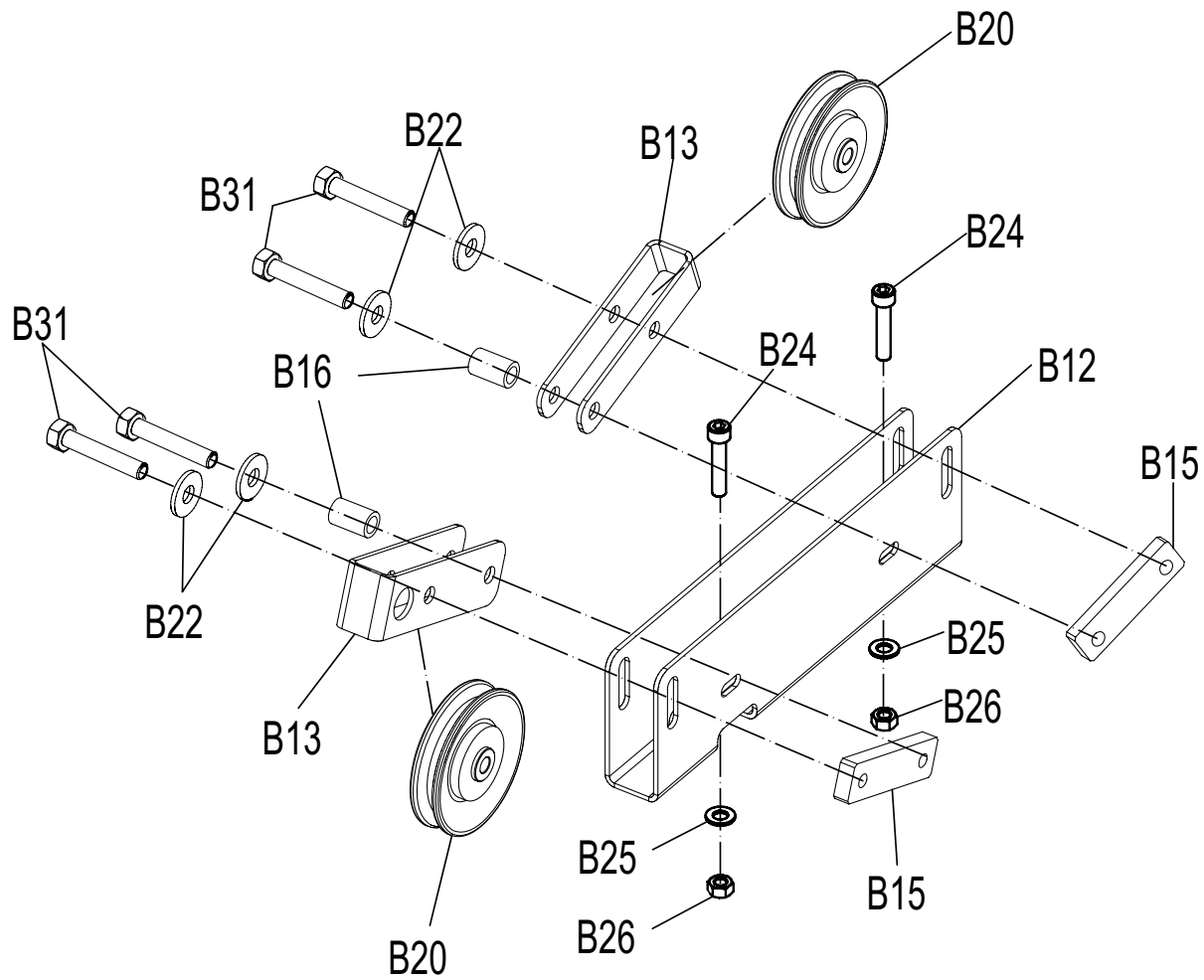


**B10**

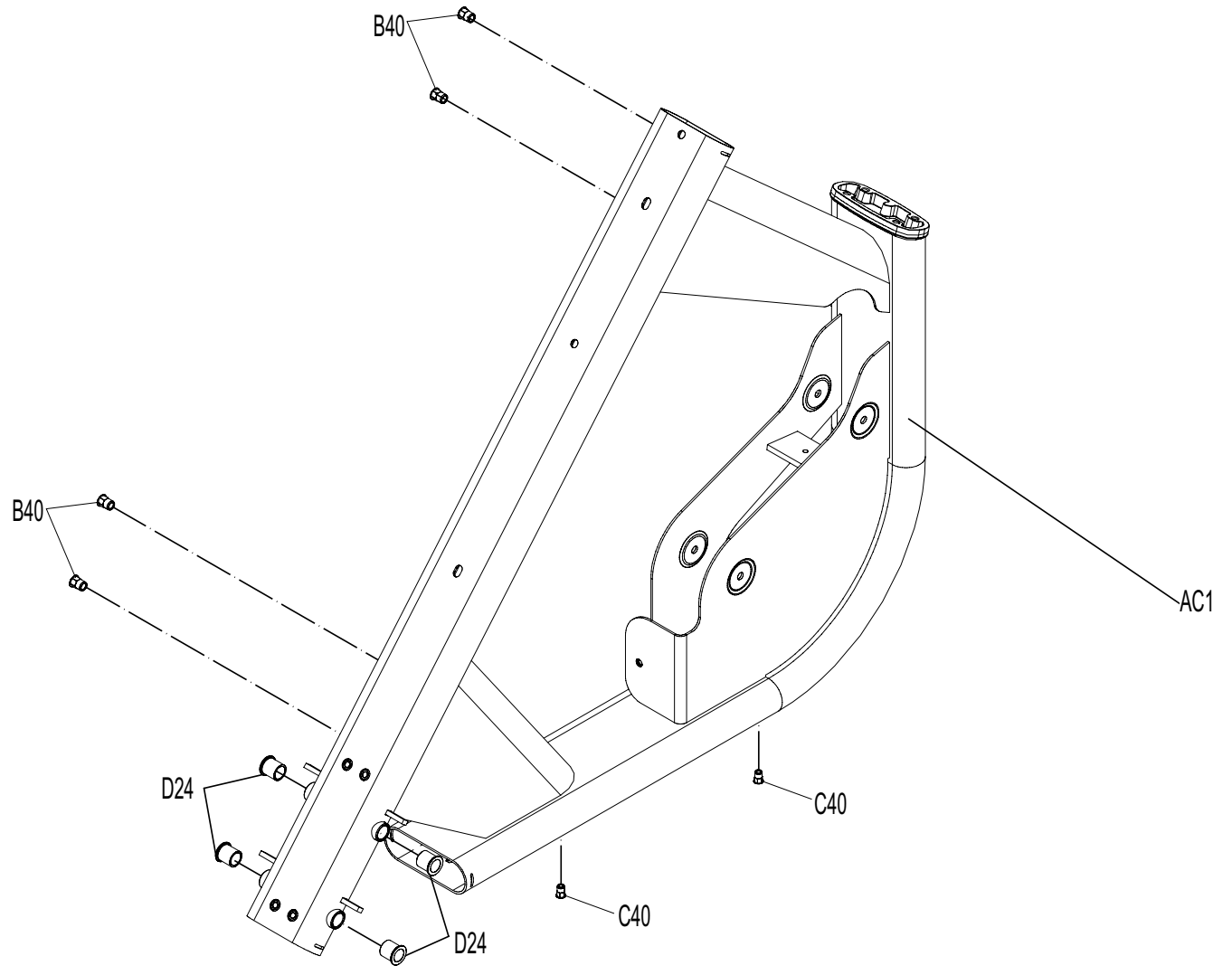
DRAWING NO			
PART NAME	UP Cover;Fixing Frame		
PART NO	1000104015	REV	A
APPROVE	Kevin	DATE	20101214



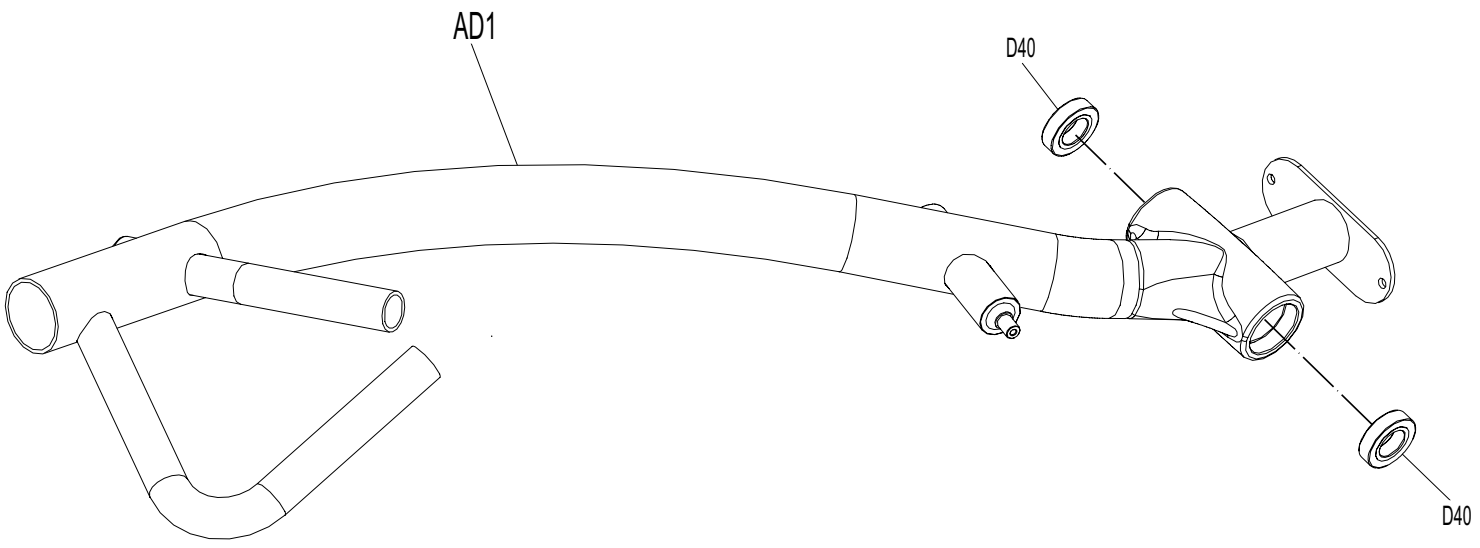
DRAWING NO			
PART NAME	Fixing Base;Slide Pulley		
PART NO	1000108735	REV	A
APPROVE	Kevin	DATE	20101214



DRAWING NO			
PART NAME	Base Set		
PART NO	1000092671	REV	A
APPROVE	Bonnie	DATE	20101227

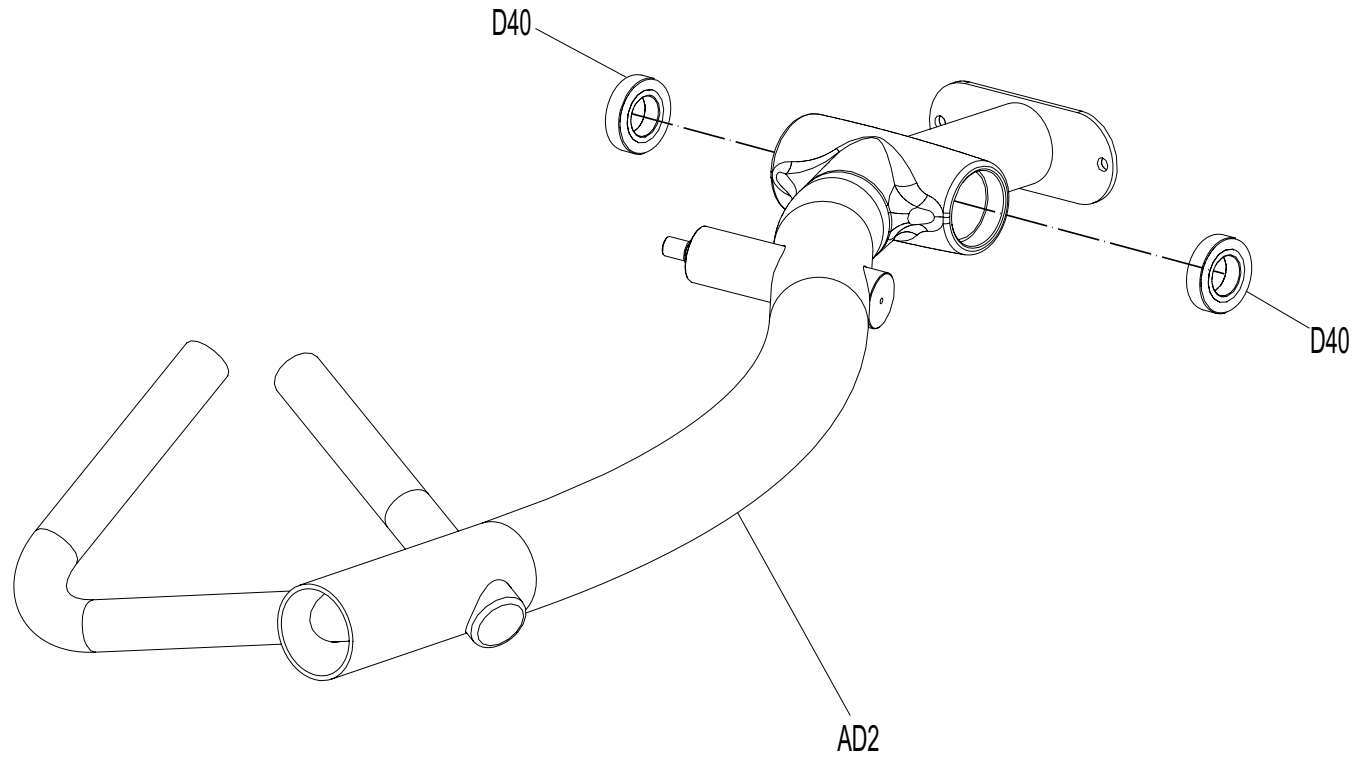


DRAWING NO			
PART NAME	PEDAL ARM CON SET;:R		
PART NO	1000213397	REV	A
APPROVE	Bonnie	DATE	20101227

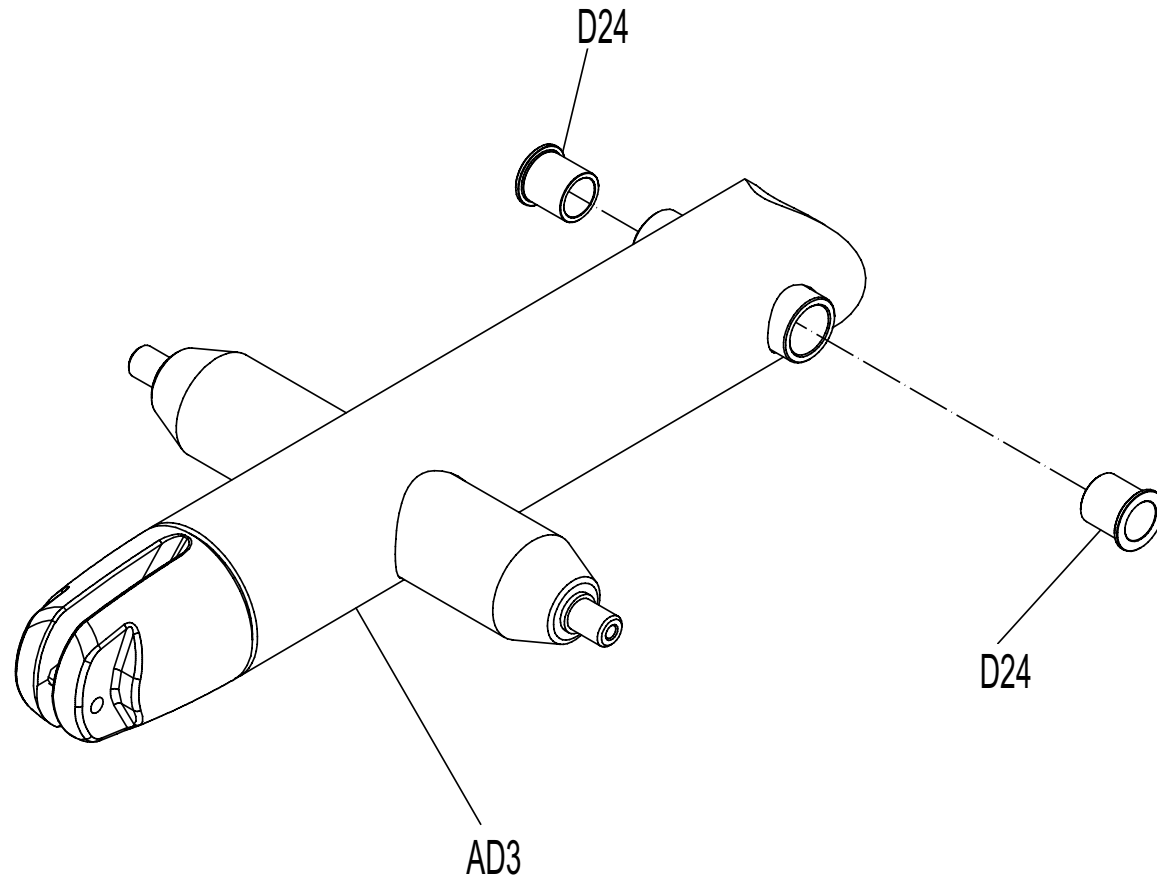




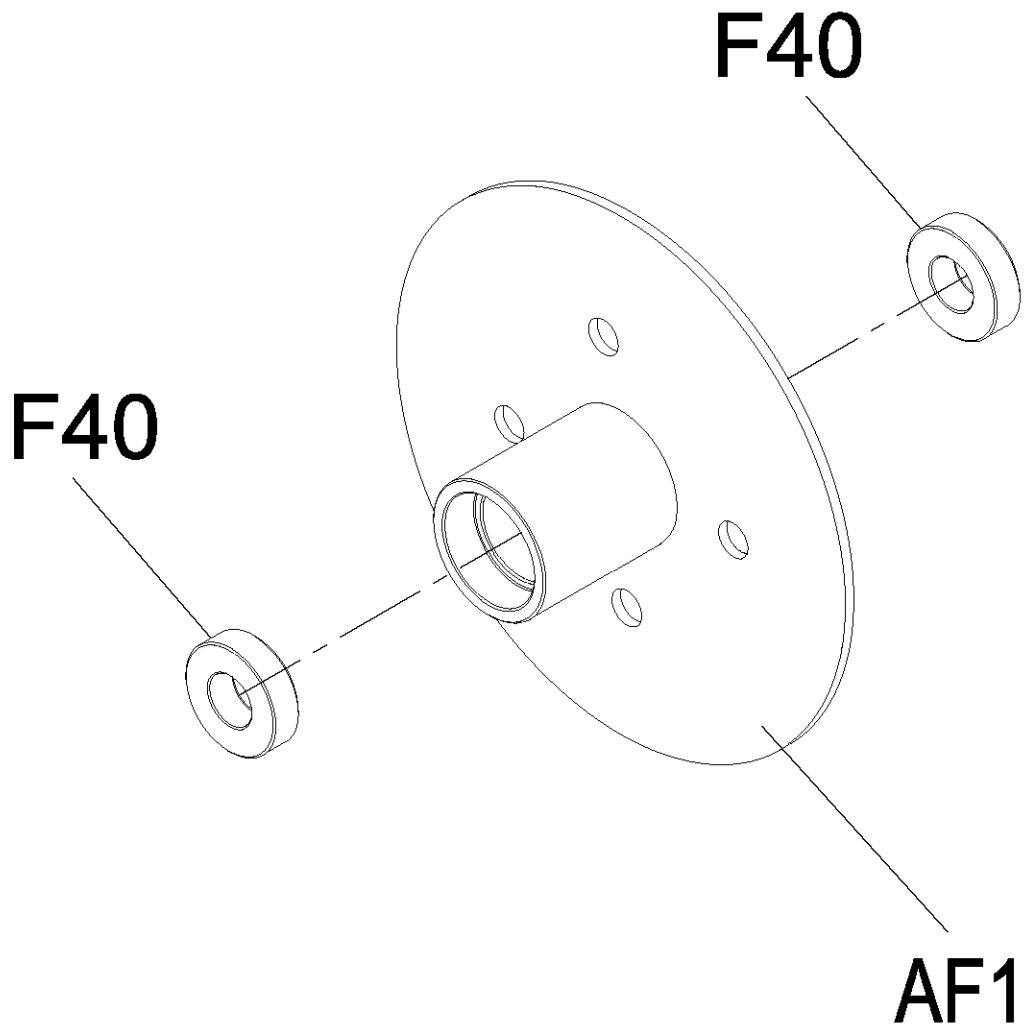
DRAWING NO			
PART NAME	PEDAL ARM CON SET;-;L		
PART NO	1000213398	REV	A
APPROVE	Bonnie	DATE	20101227



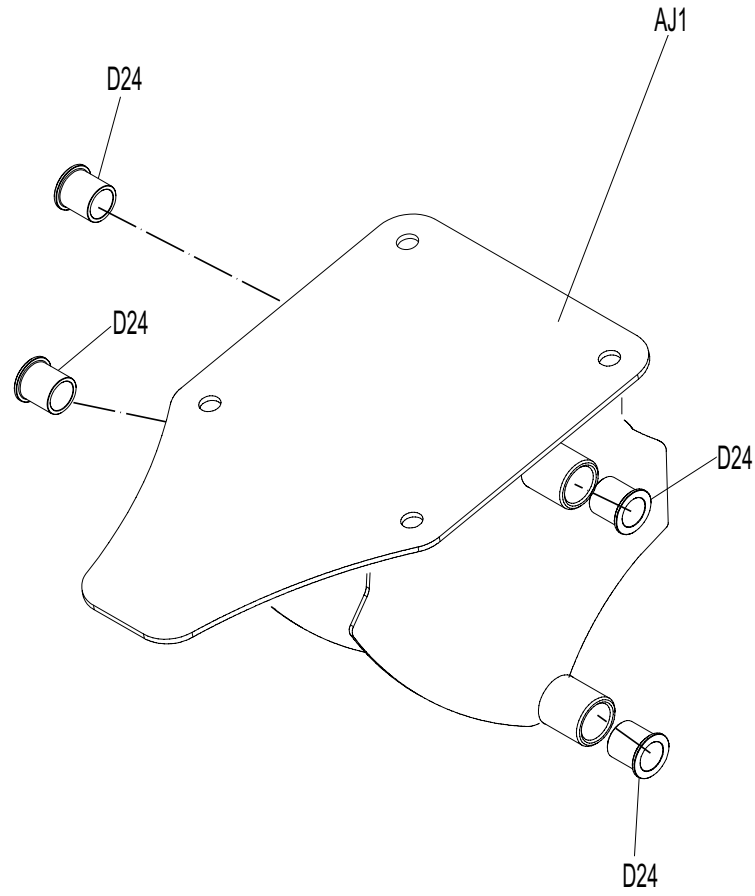
DRAWING NO			
PART NAME	Down Peadal Arm;Semi-Assy		
PART NO	096038	REV	A
APPROVE	Bonnie	DATE	20101227



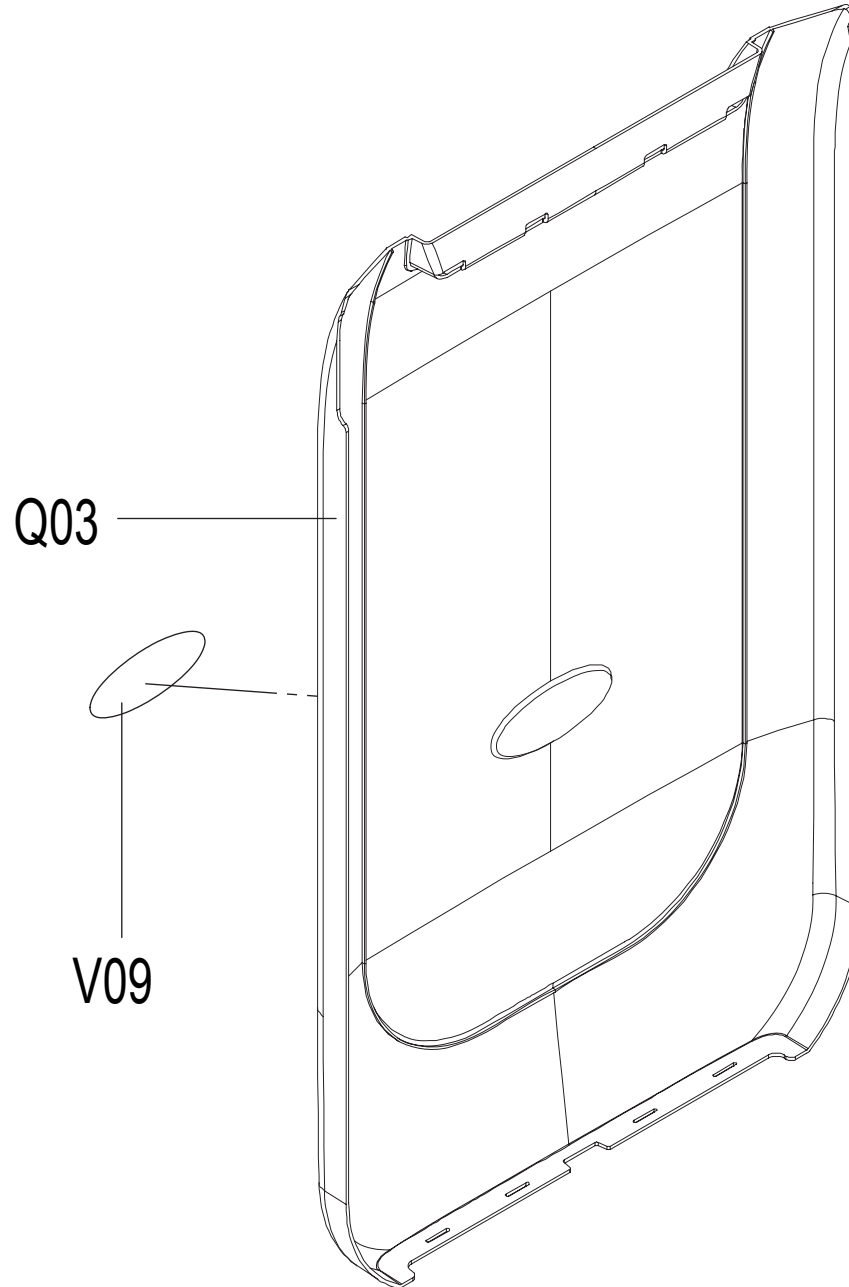
DRAWING NO			
PART NAME	Fixing Set;Cam		
PART NO	1000097563	REV	A
APPROVE	Kevin	DATE	20101228



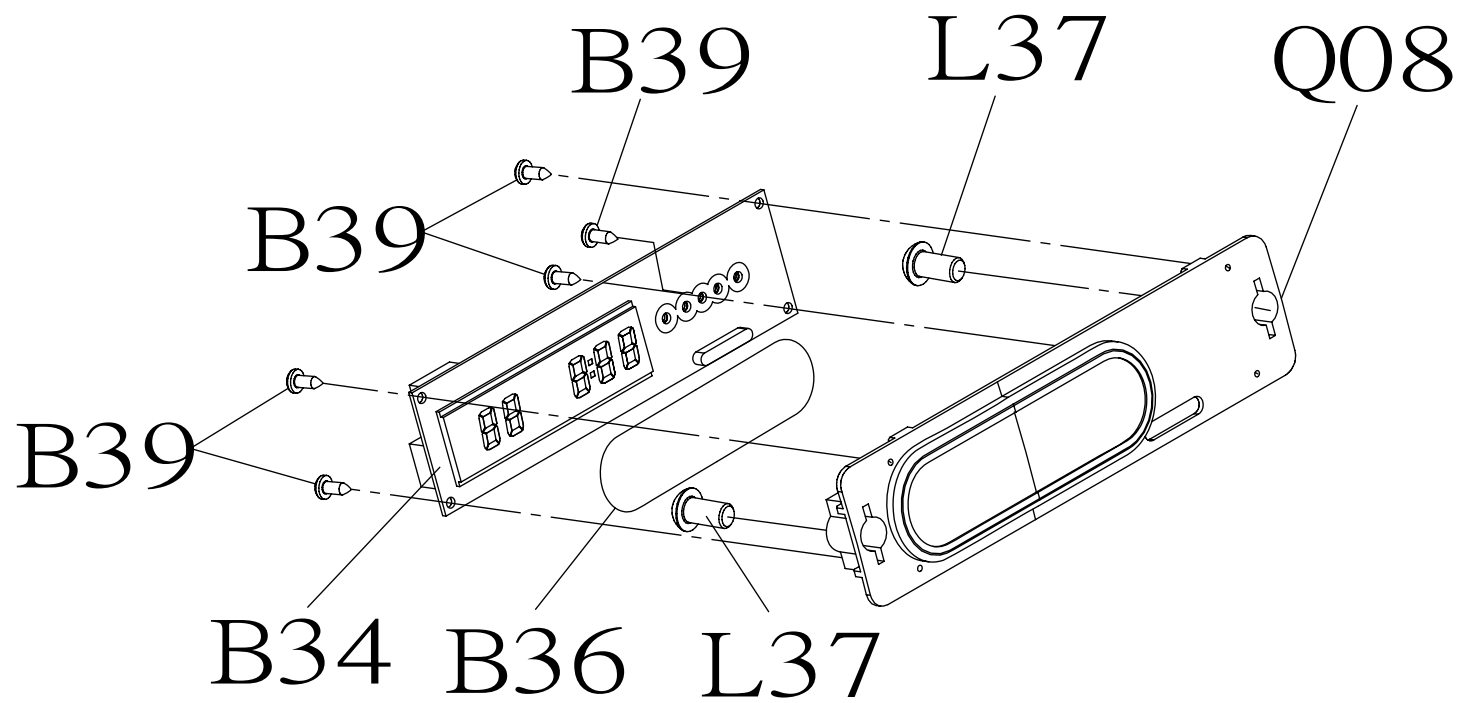
DRAWING NO			
PART NAME	Seat ADJ Set,D;Semi-Assy		
PART NO	1000097565	REV	A
APPROVE	Bonnie	DATE	20101228



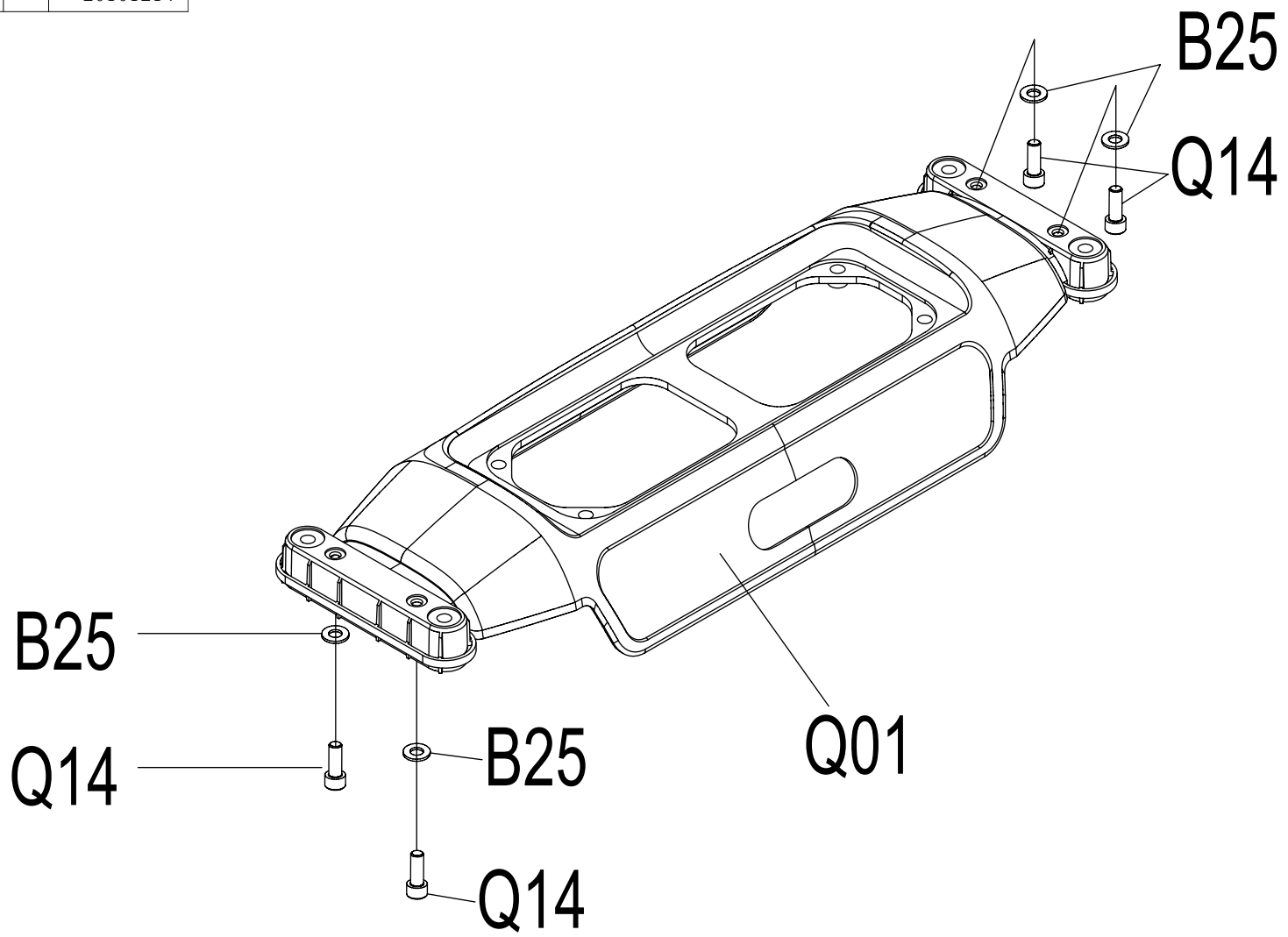
DRAWING NO			
PART NAME	Cover;Rear		
PART NO	1000108343	REV	A
APPROVE	GUIBIN	DATE	20101214



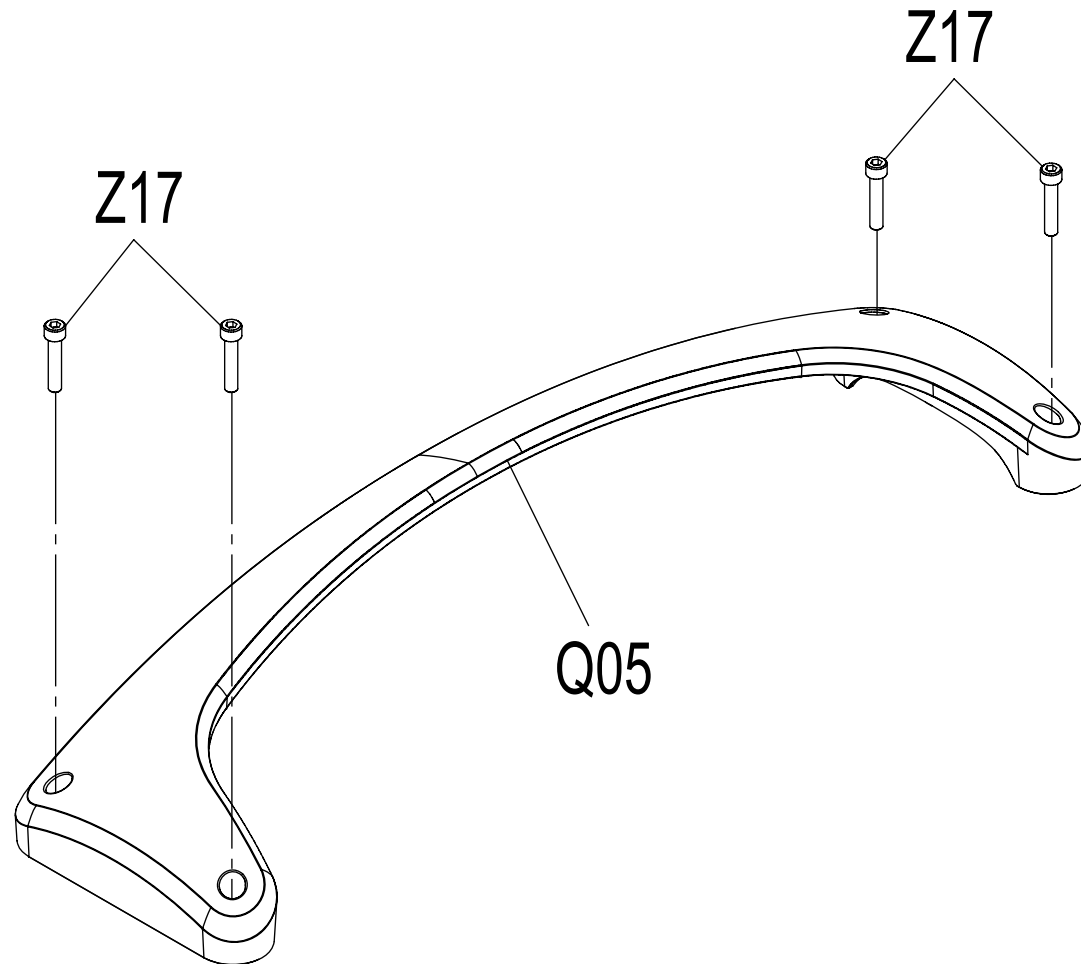
DRAWING NO			
PART NAME	Fixing Base		
PART NO	1000108347	REV	A
APPROVE	GUIBIN	DATE	20101214



DRAWING NO			
PART NAME	Cover;Up		
PART NO	1000108738	REV	A
APPROVE	GUIBIN	DATE	20101214

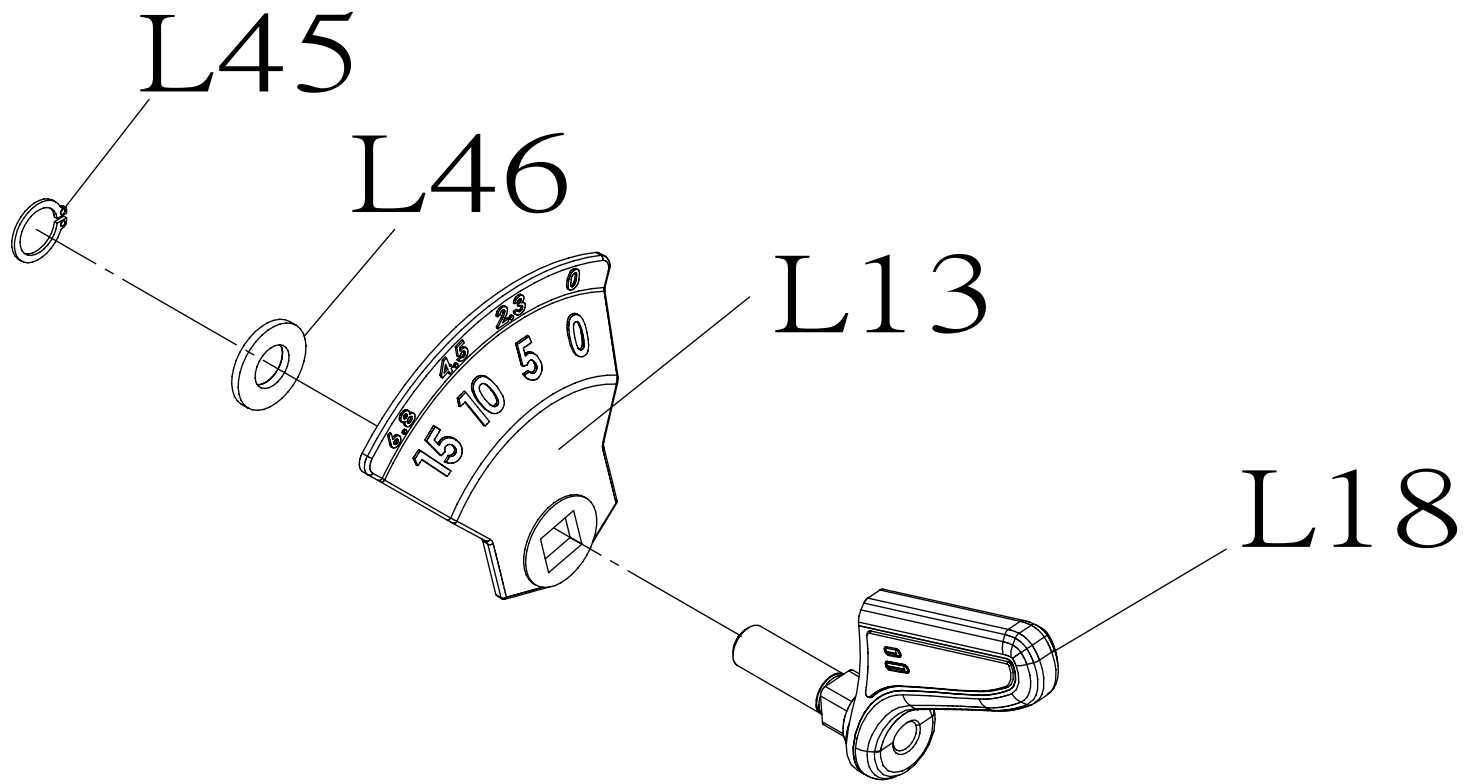


DRAWING NO			
PART NAME	Grip;Up Cover		
PART NO	1000108737	REV	A
APPROVE	GUIBIN	DATE	20101214

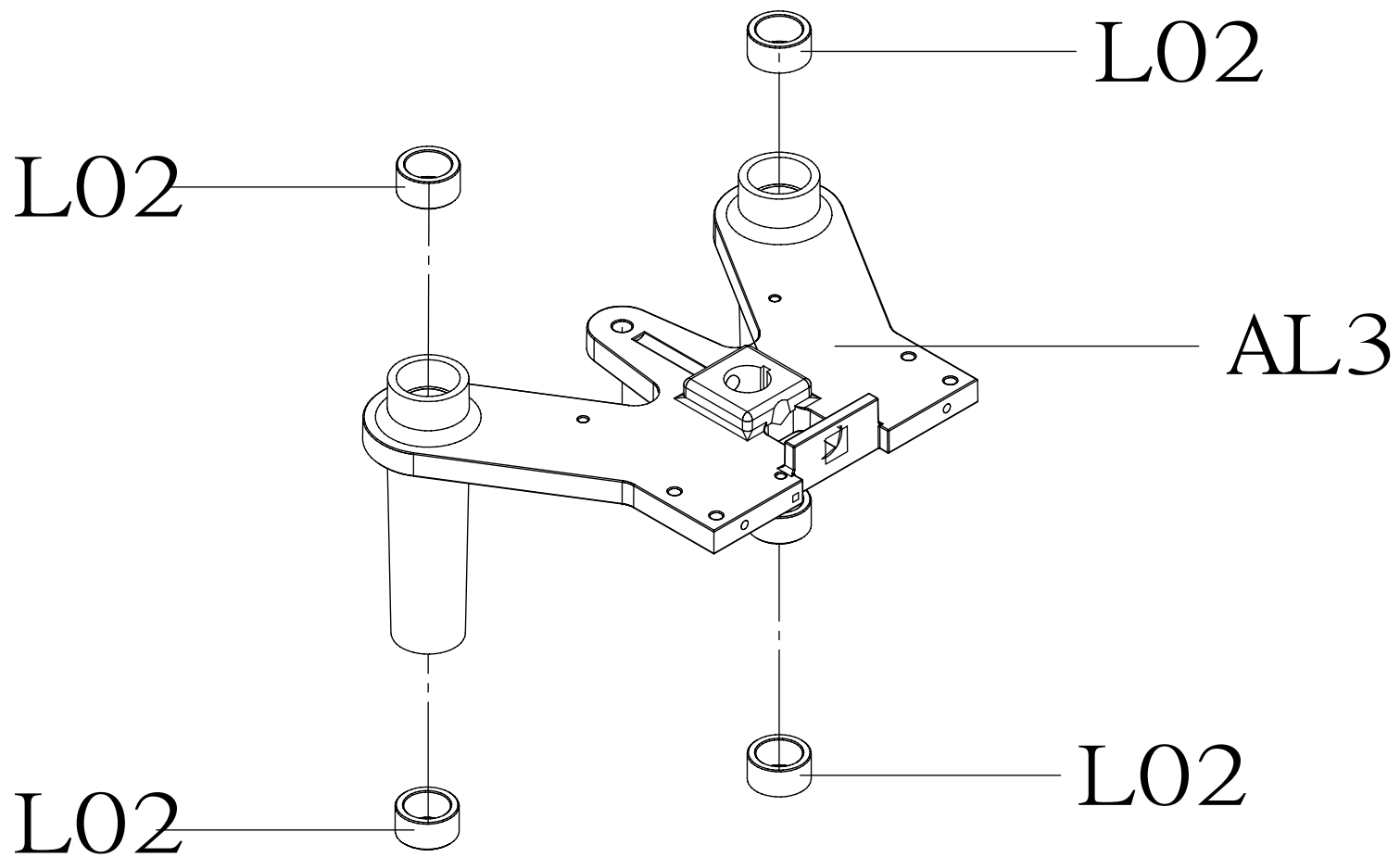




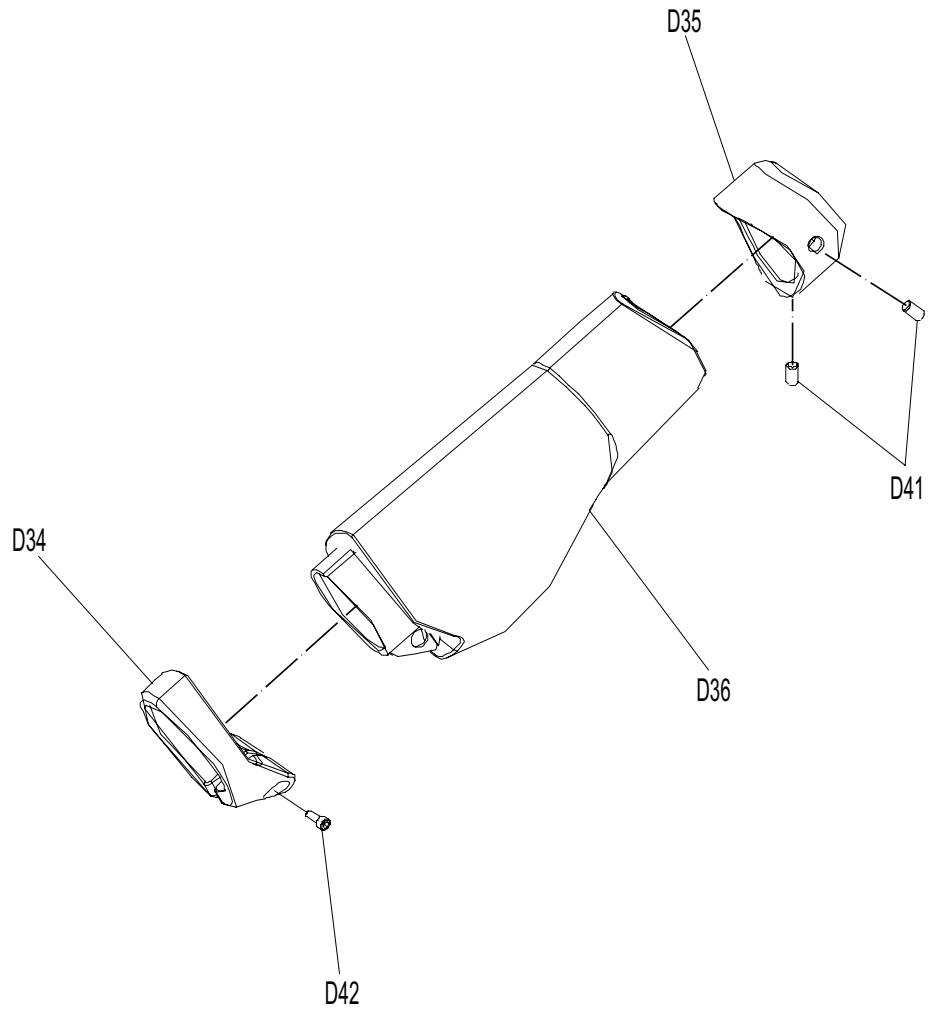
DRAWING NO			
PART NAME	Dial		
PART NO	1000108344	REV	A
APPROVE	Kevin	DATE	20101214



DRAWING NO			
PART NAME	Support Base;Incremental Weight		
PART NO	1 000213066	REV	A
APPROVE	Kevin	DATE	20101214



DRAWING NO			
PART NAME	Grip;Peadal Arm;Over Mold		
PART NO	1000108342	REV	A
APPROVE	Bonnie	DATE	20101227



Bubble#	OEM Number	Description	Notes
1	1000319473	Frame Set Iced Sliver GM40-KM Service	
10	1000319498	Cam Fixing Set Iced Sliver GM40-KM Se	
11	1000319503	Seat ADJ Set Down Iced Sliver GM40-KM	
12	1000108343	Weight Stack Shield Rear ABS GM40(service)	
13	1000108347	Repetition Counter Set PC GM40(service)	
14	1000108346	Upper Cover Set Weight Stack ABS GM40(service)-5	Includes decals (V11 & V12)
18	1000108342	Grip Set	
2	1000108348	Accent Plate Set D PP GM40(service)	
3	1000319463	Down Cover Set Fixing Frame Iced Sliver	
4	1000319468	Upper Cover Set Fixing Frame Iced Slive	
5	1000108735	Double Pulley Frame Set GM40-K	
6	1000319478	Base Set Iced Sliver GM40-KM Service	
7	1000319483	Pedal Arm Con Set Right Iced Sliver GM4	
8	1000319488	Pedal Arm Con Set Left Iced Sliver GM40	Includes AG2 and D40 (x2). Does NOT include Kit 18.
9	1000319493	pedal arm set Down Iced Sliver GM40-KM	Upgraded arm. Used in production on units 1504 and later. Retrofittable for older models. See the service bulletin Arm Structure Upgrade.
AC18	1000359765	Pedal Arm Assembly Rendering GM40	
AD4	1000104019	Connecting Rod Painting GM40	
AG1	1000319407	ConnectingTube U painting Iced Sliver	
AG2	1000319412	ConnectingTube D painting Iced Sliver	
AJ2	1000211102	Seat Grip Set	
AK1	1000092645	Weight Plate Set 18LBS Long M40	
AL3	1000204186	Top Weight Plate Set	
AL4	1000092654	ADJ Base Three Incremental Weight Plate	
B13	098978	Fixing Plate Pulley Right SPHC GM40	
B15	098970	Fixing Block Pulley SPHC GM40	

B16	1000108501	Bushing CON Rod Peadel Arm painting GM40
B19	1000104003	Cap Insert Nut GM40-KM
B20	073572	Pulley 90mm
B22	020465-AB	Washer Flat M10.2X25PX2.0T Chromed
B23	1000105174	Nut Nylon M10x1.5P G12.9 CHM
B24	020096-00	Screw Hex Socket Round M8x1.25Px15L Chromed
B25	005145-AC	Washer Flat 8.2x19.0x2.0T Chromed
B26	004929-00	Nut Nylon M8x1.25P Chromed
B27	004719-AB	Screw BH M8X1.25PX12L HS CHM G12.9
B28	1000103438	Screw Cross BH Tapped 4x10L A Class ke
B30	073573	Pulley 115mm
B31	1000108188	Screw HH M10x1.5Px55L MT CST CHM BP G12.
B32	1000096026	Fixing Base Sensor ABS GM40
B33	1000096531	Speed Sensor Wire 1200mm(2.5-5P) GM40
B35	1000203197	SCREW SH M10X1.5PX50L-30L HALF THREAD HS
B36	1000096575	Overlay Manipulate GM40
B37	004870-00	Screw Plain Tapping Rail Lock 5x15L
B38	040816-A	Screw Phillip BH Tapped 3x8L
B39	020196-A	Screw Phillip BH Tapped 3x6L Zn-BL
B40	1000105068	RVN HX NKHS-10 YZN
B58	1000319392	Stopper Pulley painting Iced Sliver GM
B62	005811-00	Cable Tie Nylon Black 160L
B66	001679-00	Tie Strap Adhesive Nylon 66 HC-101 W
C10	099006	Axle Seat ADJ 42CrMo GM40
C12	1000104027	Fixing Plate Base GM40
C13	099065	Cap ABS GM40
C15	1000096013	Cap Two ABS GM40
C16	1000098049	Pulley Cover Big Base ABS GM40
C17	1000098050	Pulley Cover Small Base ABS GM40
C30	1000097206	Screw SH M8X1.25PX25L HS CHM BP
C31	005130-00	Washer Flat 8.4x15.5x1.6T Chromed
C32	090440	Stopper BlockRubber GM30
C33	1000104692	Screw RND M10x1.5Px45L HS CHM BP G12.9
C35	1000104669	Screw FH M6x1.0Px25L HS CST CHM 8.8Class

C36	1000108796	Screw RND M10x1.5Px55L HS CHM BP G12.9	
C40	1000105069	RVN HX NHS-610-3.0 YZN	
D18	1000098051	Bearing Cover Base ABS GM40	
D19	1000108806	Screw RND M10x1.5Px15L HS CHM BP G12.9	
D20	1000216132	BALANCE PLATE - 14.5KG - - HT200	
D23	1000200891	Screw SH 8XM6X41L MT HS G12.9 CHM	
D24	1000096014	Bushing 15x19x20T GM40	
D25	1000093119	Bearing Rod End Left THREAD(EXTERNAL) M12 G	See service bulletin "Improved End Bearings".
D26	1000093120	Bearing Rod End Right THREAD(EXTERNAL) M12 G	See service bulletin "Improved End Bearings".
D27	005219-00	Washer Wavy 26.0x35.0x0.3T	
D28	1000104682	Circlip External C Type S-25 BAN	
D30	1000096996	Cap Three PP GM40	
D34	096214	Fixing Ring ADC12 GM40	
D35	096215	Cap Cover Grip ADC12 GM40	
D40	004078-A2	Ball Bearing 6005ZZ Z25XZ47X12T TPI	
D41	004855-AC	Set Screw M6X1.0PX4L	
D42	1000108801	Screw RND M5x0.8Px15L HS CHM BP G8.8	
D43	1000096510	Nut HX M12X1.75P SS41 CHM	
D44	1000096511	Nut HX M12X1.75P SS41 CHM LEFT KNOB	
F03	1000110459	Cam Small VHMWPE GM40	
F04	1000110460	Cam Bigl VHMWPE GM40	
F06	1000319402	Steel Rope Stopper Plate painting Ice	
F09	1000213951	Steel Rope SERVICE GM40-KM	Lower Cable
F10	1000104029	Steel Rope B Exrta-Work Steel Rope Head	Weight Stack Cable
F11	1000212388	Fixing Plate Cable Head- 45# BED GM40	
F12	1000102911	Circlip External C Type S-15 BED	
F14	1000105072	Washer WW 65Mn BAN 15.5x22.5x0.3t	
F15	103406	Washer Flat 8.2x20.0x1.8t Cr Plat	
F40	004072-A2	Ball Bearing Flywheel 6002ZZ	
F99	005017-00	Washer Spring SW10 10.2X18.4X2.5T Chromed	

J10	099030	ADJ Plate Seat ZG20 GM40
J13	099035	Axle Pull Pin 42CrMo GM40
J14	099036	Axle Sleeve Pull Pin 42CrMo GM40
J16	<b>1000200876</b>	Screw Round M8x1.25Px25L Hex Socket G12.
J18	1000108349	Connecting Rod Seat ADJ ADC12 GM40
J20	1000092642	Spring RCL 4130CrMo Spray teflon GM40
J21	098972	Spring EXT SWP ZNC GM40
J28	1000092669	Plastic Cover Back Pad GM40
J29	1000092670	Plastic Cover Head pad GM40
J32	096046	Axle CON Rod 45# GM40
J33	1000097385	Stopper Sleeve CON Rod Axle ABS GM40
J35	096216	Stopper Sleeve WASHER GM40
J39	004924-00	Nut Nylon M5x0.8P Black Zinc
J43	1000103444	Cover Seat GM40-KM
J44	005330-00	Tinnamen Nut
J45	004636-AD	Screw BH 4X15L SM PH CHM POT
K01	1000200981	Guide Rod Weight plate
K02	099059	ADJ Rod Weight Plate 20# GM40
K03	096088	Weght Plate Set 12.5P GM41
K04	1000092647	Weight Plate Set 18LBS Short GM40
K05	099055	Fixing Block UP Guide Rod 45#GM40
K06	1000096999	Cover Front Rubber Black GM40
K07	<b>1000202352</b>	Cushion Guide Rod
K09	<b>1000102915</b>	Circlip E Type E-15 Cr Plate
K10	019151-AA	Rubber Bumper Weight Stack
L01	1000092648	Incremental Weight Plate Set 5LBS M40
L02	1000092646	Axle Sleeve Guide Rod 23X20X15L GM40
L04	099053	ADJ Base R Incremental Weight Plate GM40
L07	099056	U Cover IncrementalWeightPlate 20# GM40
L12	099052	ADJ Base L Incremental Weight Plate GM40
L15	1000096167	Axle Sleeve Two Weight Plate Rubber GM40
L16	1000092641	Axle Sleeve Weight Plate Rubber GM40
L17	099064	Sleeve D IncrementalWeight Plate POM GM4

Order decal 099098 with  
this

L20	099063	Cover Incremental Weight Plate PC GM40	
L21	1000096021	Screw SET M10X1.5P	
L30	1000319417	Fixing Rack Counte painting Iced Slive	
L31	1000096022	Magnet Counte GM40	
L32	1000096023	Half-moon Key 20# GM40	
L33	1000092656	Nut HX M10X1.5PX10L SS41 CHM	
L34	1000108803	Screw RND M5x0.8Px12L HS CHM BP G8.8	
L36	1000108804	Screw BH M5x0.8Px15L HS CHM BP G8.8	
L37	1000104672	Screw BH M5x0.8Px10L HS CST CST CST CHM	
L38	070571	Washer Flat 5.2X10.0X1.5T CHM	
L41	1000102647	Screw Settle M5x0.8Px6L Top End BED	
L45	1000102910	Circlip External C Type S-12 BED	
L46	1000108910	Washer Flat 12.5x23x1.0t CHM	
L51	005084-00	Washer Flat 5.3X10.0X1.0T Chromed	
L59	1000372592	Adjustable Pin Set Weight plate GM40	
Not Shown	099111	Hardware Kit GM40	
Not Shown	1000211061	Direction Label SEAT ADJUSTABLE - PC	Attaches to J18.
Not Shown	064015-A	Hardware	
Not Shown	ZMS4003223	Decal, QR, G7-S23 Conv Shoulder Press	
Not Shown	ZMS4001255	Battery, AA for console	
Not Shown	ZMD4007511	Iced Silver 2-Stage Touch-Up w/ Clear	
Q02	098985	Cover Left-Fron limpид ABS GM40	
Q04	098988	Cover Right-Front ABS/PA757 Limpид GM4	
Q05	098986	Grip Up Cover ADC12 GM40	
Q14	1000108805	Screw RND M8x1.25Px20L HS CHM BP G12.9	
V02	1000232600	Warning Label - - - PC - -	
V03	1000206252	Decal Weight Plate 10P GM40	
V09	0000086226	Nameplate Motor Cover LOGO T5X-02	
V11	1000099776	Illustration Decal Front GM40-KM	
V12	1000099777	Illustration Decal Rear GM40-KM	
V20	093501	Warning sticker small GM40-KM	
Z01	004518-00	Screw SH M10X1.5PX75L HS CHM	
Z02	1000104691	Screw RND M10x1.5Px30L HS G12.9 CHM BP	
Z04	004789-AC	Screw BH M10X1.5PX75L HS CHM G12.9	



Z05	1000102584	Screw Hex M10x1.5Px20L Cr Plate G12.9	
Z08	1000108800	Screw RND M6x1.0Px12L HS CHM BP G10.9	
Z09	1000204046	Washer Flat 6.4X14.0X3.0T Chromed	
Z10	1000105259	Screw Round M10x1.5Px105L Hex Socket G12	
Z100	1000319422	Frame Fix Plate painting Iced Sliver	
Z101	1000096017	Rubber Pad Fixing GM40	
Z11	008523-B	Washer Arc M10x28x10.5T SS41	
Z12	004938-00	Nut Nylon M6X1.0P Chromed	
Z17	020081-00	Screw SH M8X1.25PX60L HS G12.9	
17	Order Parts Separately	Top Weight Plate Set GM40-KM	
AB1	Part of Kit 1	Weight Stack Frame Painting GM40	
AC1	Part of Kit 6	Base Set Painting GM40	
AD1	Part of Kit 7	Arm Right Painting GM40	
AD2	Part of Kit 8	Arm Left Painting GM40	
AD3	Part of Kit 9	Swivel Frame Painting GM40	
AF1	Part of Kit 10	Axle Cam Painting GM40	
AJ1	Part of Kit 11	Seat ADJ Down Painting GM40	
B10	Part of Kit 3	Down Cover Fixing Frame Painting GM40-KM	
B11	Part of Kit 4	UP Cover Fixing Frame Painting GM40-KM	
B12	Part of Kit 5	Fixing Base Slide Pulley Painting GM40-K	
B17	Part of Kit 2	Fixing Plate D PP GM40	
B34	1000096514	UCB Matrix GM40 H102S1.60	
J25	See Pad Matrix	Head Pad	
J40	1000097850	Screw SH M8X1.25PX95L HS CHM G12.9	
J48	See Pad Matrix	Wear Cover	
L13	Part of Kit 16	Dial GM41	
Q01	Part of Kit 14	Cover Up ABS GM40	
Q03	Part of Kit 12	Cover Rear ABS GM40	
Q05	Part of Kit 15	Grip Up Cover ADC12 GM40	
Q08	Part of Kit 13	Fixing Base PC GM40	
Q09	Part of Q06	Decal Plate U GM40	
1	1000092672	Weight Stack Frame Set GM40-KM	Discontinued
10	1000097563	Cam Frame Set GM40-KM	Discontinued
11	1000097565	Seat Adjustment Frame Set Down Semi-Assy GM40-KM	Discontinued

			Discontinued - Order components
15	1000108345	Handle Weight Stack ADC12 GM40(service)	
16	1000108344	Incremental Weight Pin Set GM41(service) - D/C, NO REF	Discontinued
3	1000104014	Lower Fixing Plate Weight Stack Shield	Discontinued
4	1000104015	Upper Fixing Plate Weight Stack Shield	Discontinued
6	1000092671	Seat Frame Set GM40-KM	Discontinued
7	1000092658	Pedal Arm Right GM40-KM	Discontinued - Also includes 2 of Kit 18
8	1000092659	Pedal Arm Left GM40-KM	Discontinued - Also includes 2 of Kit 18
9	096038	Swivel Frame Set Semi-Assy GM40-KM	Discontinued
AG1	1000104021	Upper Connecting Frame Painting GM40	Discontinued
AG2	1000104022	Lower Connecting Frame Set Painting GM40	Discontinued
B24	004479-AB	Screw SH M8X1.25PX15L HS CHM BP	Discontinued
B24	004479-ABX	Screw Hex Socket Round M8x1.25Px15L Cr A	replaced by 020096-00
B25	005040-AB	Washer Flat 8.4X15.5X1.6T	Discontinued
B29	004869-00	Screw Phillip Sink Tapped 4x10L	Discontinued
B35	020112-A	Screw Hex Socket Round M10x1.5Px50L(Tooth15)	replaced by 1000203197
B58	1000104017	Stopper Plate Pulley Painting GM40	Discontinued
C33	028632-AB	Screw Hex Socket Round M10x1.5Px45L Cr	replaced by 1000104692
D20	096023	Balance Brick GM40	Discontinued
D36	1000090147	Grip Peadal Arm Over Mold GM40	Discontinued
D40	004078-00	Ball Bearing 6005ZZ 25X47X12T SKF	Discontinued
F05	1000092663	Screw SH 10XM8X46L HS G8.8 CHM	Discontinued
F06	1000104020	Stopper Plate Steel Rope Painting GM40-K	Discontinued
F40	004072-00	Bearing Ball 6002ZZ 15X32X9T SKF	Discontinued
L30	1000104023	Fixing Rack Counte Painting GM40-KM	Discontinued
L59	1000210654	Weight Stack Pin Set GM40	Discontinued
Not Shown	ZMS4000430	Touch Up Paint Silver G7	Discontinued

			Discontinued - This is a kit with Q06 & Q09 assembled. If out of stock, order Q06 (098980) and Q09 (1000096025)separately
Q06	ZMS4000950	G7 Cupholder assembly\\ D/C, NO REPL: Part will show a instead.	
V02	099103	Warning Sticker GM40	Discontinued
Z100	1000104026	Fixing Plate Frame Painting GM40-KM	Discontinued
Z17	1000108795	Screw RND M8x1.25Px60L HS CHM BP G8.8	Replaced by 020081-00